

Cam-Lok® Standard Series



All Cam-Lok part numbers available in convenient, single-use, color-coded packaging.

NON-VULCANIZED		MALE PLUG		
COLOR	CABLE SIZE	COMPLETE PART NO.	CONTACT ONLY PART NO.	INSULATOR ONLY PART NO.
BLACK	#2-1	E1018-8006	A200036-18	A200071-19
RED		E1018-8008		A200071-21
GREEN		E1018-8010		A200071-23
WHITE		E1018-8011		A200071-24
BLUE		E1018-7700		A200071-37
BROWN		E1018-7701		A200071-39
ORANGE		E1018-8009		A200071-22
YELLOW		E1018-8007		A200071-20

NON-VULCANIZED		FEMALE PLUG		
COLOR	CABLE SIZE	COMPLETE PART NO.	CONTACT ONLY PART NO.	INSULATOR ONLY PART NO.
BLACK	#2-1	E1018-8056	A200037-27	A200072-19
RED		E1018-8064		A200072-21
GREEN		E1018-8066		A200072-23
WHITE		E1018-8061		A200072-24
BLUE		E1018-7716		A200072-37
BROWN		E1018-7717		A200072-39
ORANGE		E1018-8059		A200072-22
YELLOW		E1018-8057		A200072-20

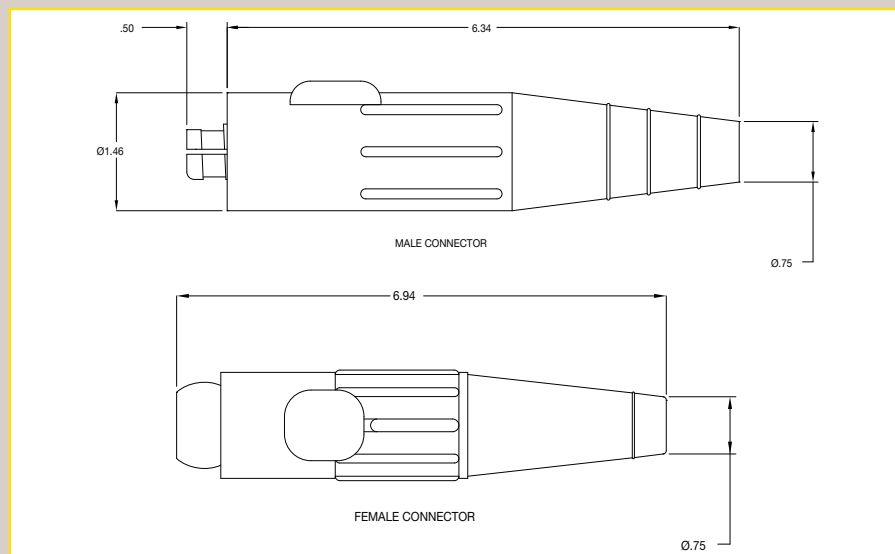


E1018-8006



E1018-8056

E1018 Series



CAM-LOK STANDARD SERIES "BALL NOSE" DESIGN RECEPTACLES AND PLUGS HAVE BEEN USED FOR YEARS IN SHIPYARDS, CONSTRUCTION SITES AND POWER PLANTS. THEY HAVE BECOME THE STANDARD BY THE BROADCAST INDUSTRY IN CANADA, AS WELL AS THE WELDING INDUSTRY IN THE UNITED STATES.

RATINGS: 600 VOLTS UP TO 190 AMPERES CONTINUOUS

STANDARD MATERIALS
CABLE SIZE: #2 - #1
CONNECTOR BODY: TPE
CONTACT: BRASS

AGENCY APPROVALS
CSA CERTIFIED LR13963

ENVIRONMENTAL RATING: NEMA 3R